

PRODUCT SHEET – OVALIE Bollards

Permanent fixed / Removable / Mechanical / Automatic Versions



Impact Resistance	Average Thickness
Depending on embedding	11 mm



BPOVLD50



BMOVLD50

RETRACTABLE MODELS

The whole set is composed of structural parts, all cast in one piece, the patented Monobloc™ URBACO which ensures everlasting parallelism:

- Monobloc™ casing, thickness up to 24 mm, with sliding rails and mechanical support cast in the very same block. Pneumatic cylinder (piston) with stainless stem and upper and lower buffers integrated (automatic bollards) or gas piston with stainless stem (mechanical bollards);

- Monobloc™ cover

- Bollard head, average thickness 11mm, cast in one piece including its own sliding carriage. Quality of manufacturing without parts likely to wear and tear is the guaranty of durability and very low maintenance costs.

The lost casing (optional) in galvanized steel for easy installation and mounting; Retractable Ovalie bollards are available in nodular cast iron, height 500 mm with (white) Class II reflective tape band.

REMOVABLE MODEL

These bollards coupled with their Fixator® (an URBACO patent) are removable without any special or additional tool: a key is all they need. A locking system will deter non-authorized would-be users to open the access.

A turn of the key is enough to unlock the bollard and remove it from its socket. The Fixator cover is placed instead, clearing the way for free access.

Access control in 3 steps: unlock, turn, and lift. This is a simple and effective solution to restrict access to any area with a small budget.

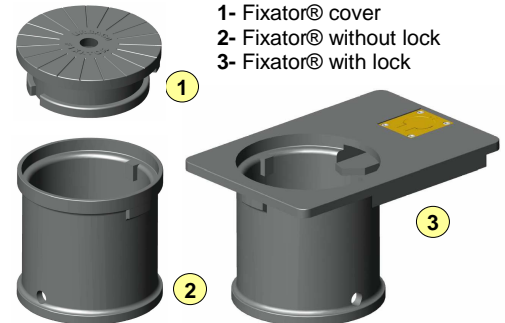
The Fixator® is embedded flush with surfaced ground level. Impact resistance thus depends on quality of anchorage.

Removable Ovalie bollards are available in lamellar cast iron, 500 and 750 mm, no grooving for reflective tape band.

PERMANENT FIXED MODEL

This bollard is to be embedded in concrete. Impact resistance for this product thus depends on quality of anchorage. An extension is possible, optional, depending on soil nature.

Fixed Ovalie bollards are available in nodular cast iron (ductile), 500 mm high, with grooving for reflective tape band and in lamellar cast iron, 500 and 750 mm, without grooving.



- 1- Fixator® cover
- 2- Fixator® without lock
- 3- Fixator® with lock

OPTIONS

- Colours: any RAL shade,

For automatic bollards: negative security (fail safe), heating, anti-return valve, lost casing.

For BEMs: key, lost casing.

For removable bollards: Fixator® (T11, T14, DL, special A), Fixator® without lock, cover, key.

For fixed bollards: fixed eyelets and chains.

SURFACE FINISH

- Zinc primer to increase resistance to oxidation as well as to reinforce finishing coating adherence.

- **Thermosetting polyester powder coating, standard colour: charcoal grey RAL7016 fine structured.**

OVALIE BOLLARD MODELS AVAILABLE

	FIXED	REMOVABLE	MECHANICAL	AUTOMATIC
Ø120*/H500	BSOVLD50F BSOVLD50G	BAOVLD50F	BMOVLD50	BPOVLD50
WEIGHT	14 kg	14 kg	48 kg	51 kg
Ø120*/H750	BSOVLD75F	BAOVLD75F	Not available	Not available
WEIGHT	22 kg	22 kg	64 kg	68 kg

*: Ø116/82 mm real

Z.A. du Couquiou – 84320 ENTRAIGUES – France
Tel. : +33 490 480 800 – Fax. : +33 490 480 088

E-mail : export@urbaco.fr

www.urbaco.fr



BAOVLD50F

BSOVLD50G

FP-OVL(V1-EN)