

PRODUCT SHEET Fixed Bollards for Energy Supply (BFDE)

Simple and Double Versions – Power Supply

GAME GROUP

URBACO

ISO 14001

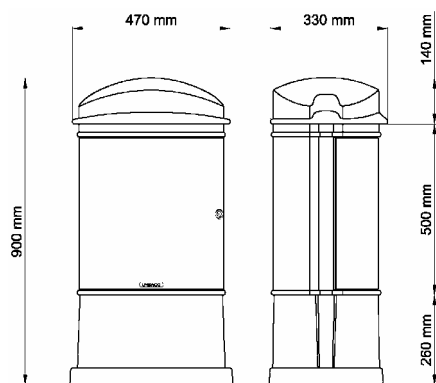
AUTOMATIC BOLLARDS

Simple Version

Dimensions	Height	Weight
470x330 mm	900 mm	~45 kg

Material	Thickness	Colours
Aluminium	7 mm	RAL 7016 Charcoal Grey

City5 Trunk	Components
1 high pedestal 1 body module 1 cap 1 door 1 2-point lock 1 stainless steel key	Energy supply appliances (with protections)

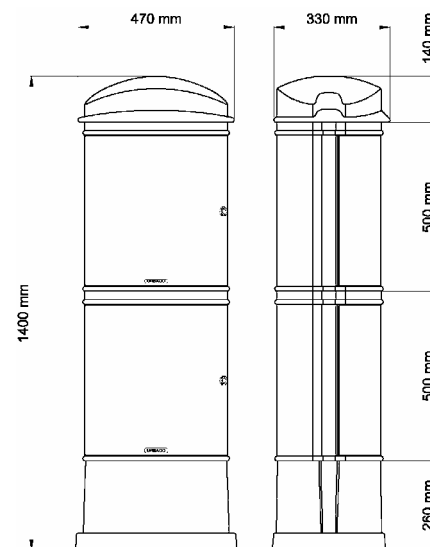


Double Version

Dimensions	Height	Weight
470x330 mm	1400 mm	~90 kg

Material	Thickness	Colours
Aluminium	7 mm	RAL 7016 Charcoal Grey

City5 Trunk	Components
1 high pedestal 2 body modules 1 cap 2 doors 2 2-point locks 1 stainless steel key	Energy supply appliances (with protections)



DESCRIPTION

The fixed bollard for power supply has been designed to make multiple voltage connections easily depending on setup.

3 socket types available for low voltage: 16 Amp (2 Poles+Earth), 32 Amp (3 Phases+Neutral+Earth) and 63 Amp (3 Phases+Neutral+Earth). Each socket is protected by its own 30 mA differential breaker, gauged according to socket.

The great resistance of the fixed unit for power supply allows durable exposure in public areas. The fixed bollards for power supply are designed and built with the greatest care, according to strict quality and safety specifications.

Two models are available as fixed units:

- BFDE, simple: up to 6 x 16A socket connections.
 - BFDE, double: up to 12 x 16A socket connections.
- See our catalogue for the various possibilities.

The fixed bollard for power supply is meant to be installed by fastening mason screws in a concrete slab.

- 1- BFDE, simple with 6 x 16A sockets
- 2- BFDE, double with 6 x 16A sockets and meter.
- 3- 16A 30mA differential breaker
- 4- Sockets 16Amp 2Poles+Earth with spring loaded protection flap,
- 5- Power supply panel, pre-wired.



SURFACE FINISH

As a standard:

Dry Protector primer for better adherence of the finish coating on aluminium.

Thermosetting polyester powder coating, matt finish.

Standard colour: RAL 7016 (Charcoal grey)

OPTIONS & ACCESSORIES

- Colours: other RAL shades available on request

DESCRIPTON: power supply panel

Inside the fixed bollard for power supply: HYPR4 IP44 (EU standard) sockets. Each socket has its own 30 mA differential breaker for the protection of users. All components are mounted inside a plastic box. Breakers are protected behind a transparent cover. The panel is pre-wired with 6 metres of cable for connection to the mains network.

The double version is available with an electricity meter: the upper part integrates the panel (as shown in '5'); the lower part is equipped with an aluminium plate designed for the installation of your local electricity board panel (not delivered).



Z.A. du Couquiou – 84320 ENTRAIGUES – France

Tel: +33 490 480 808 – Fax: +33 490 480 088

E-mail: urbaco@urbaco.fr

www.urbaco.fr

FP-BFDE(V1-EN)

PRODUCT SHEET Fixed Bollard for Energy Supply (BFDE)

Single & Double Version – Power and/or Water Supply

GAME GROUP

URBACO

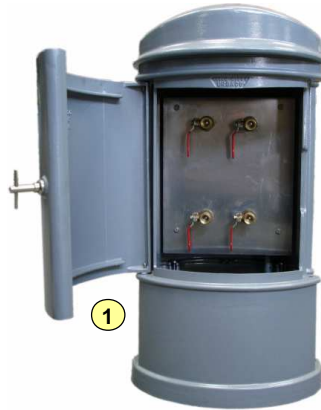
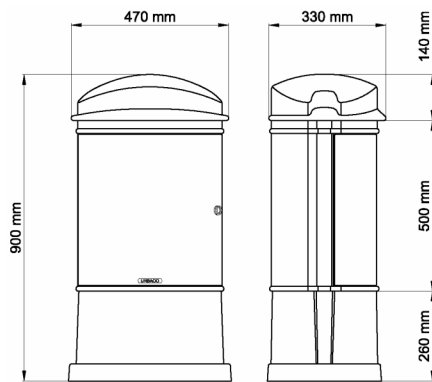
AUTOMATIC BOLLARDS

Single Version

Dimensions	Height	Weight
470x330 mm	900 mm	~45 kg

Material	Thickness	Colour
Aluminium	7 mm	RAL 7016 Charcoal Grey

City5 Trunk	Inner Components
1 x high pedestal 1 x trunk 1 x cap 1 x service door 1 x 2-point lock 1 x stainless key	Water supply

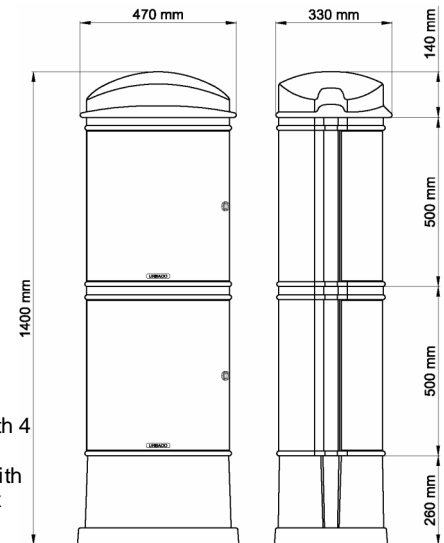


Double Version

Dimensions	Height	Weight
470x330 mm	1400 mm	~90 kg

Material	Thickness	Colour
Aluminium	7 mm	RAL 7016 Gris anthracite

City5 Trunk	Inner Components
1 x high pedestal 2 x trunks 1 x cap 2 x service doors 2 x 2-point locks 1 x stainless key	Water supply and / or Power supply (with protections)



DESCRIPTION

Fixed Bollards for Energy Supply are designed to make multiple power and / or water connections depending easily in 16, 32 or 63 Amps.

- For power, 3 types of sockets are available in low tension: 16Amp 2P+E, 32Amp 3P+N+E and 63Amp 3P+N+E. Each socket is individually protected with a 30mA ground-fault circuit interrupter (depending on socket).
- For water, 1 type of valve is available: ¼ turn Ø 1/2" (15x21).

BFDEs are sturdy pieces of urban furniture which allow durable exposure in public areas.

Two models of fixed bollards are available:

- Simple BFDE: Up to 4 valve connections
- Double BFDE double: Up to 6 x 16Amp sockets and 4 x valve connections.

Refer to our catalogue for the various configurations available.

BFDEs are intended to be fixed to the ground with mason screws or chemical anchoring.

SURFACE FINISH

As a standard

Dry Protector primer for add on adherence to aluminium surface finish.

Thermosetting polyester powder paint, matt finish,

Standard colour: Charcoal grey RAL 7016

OPTIONS & ACCESSORIES

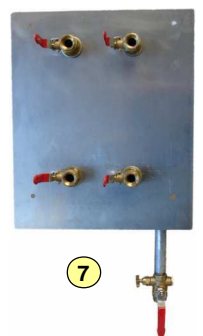
Colours: all RAL shades available as option



- 1- BFDE, single module with 4 valves,
- 2- BFDE, double module with 6 x 16Amp sockets and 4 x valves.

DESCRIPTION: water supply unit

Fixed bollards for water supply all have a shut-off valve with winter draining screw in its lower part. It also contains a backwater valve to prevent pollution of drinking water system. All these elements are mounted on an aluminium panel.



DESCRIPTION: power supply unit

Inside the fixed bollards for power supply are HYPER IP44 (European standard) sockets. Each socket is individually protected by a 30mA ground fault circuit interrupter for the protection of people. All these components are installed in a plastic casing. Circuit breakers are protected by a transparent door. It is pre-wired with 6 metres of cable for connection to mains system.

- 3- 16A 30mA ground fault circuit interrupter
- 4- 16A 2P+E socket, with automatic spring loaded protection flap,
- 5- Electrical casing, pre-wired,
- 6- ¼ turn service valve,
- 7- Panel with 4 valves.



Z.A. du Couquiou – 84320 ENTRAIGUES – France

Tel. +33 490 480 800 – Fax +33 490 480 088

e-mail : export@urbaco.fr

www.urbaco.fr

FP-BFDO(V1-EN)